

1/4" TC-X050 Series



The TC-X 050 is a small compact pump with an exceptional flow rate designed to be installed into liquid transfer applications. Featuring the new Looped C™ Air Motor Technology (patent pending). Multi-port options available.

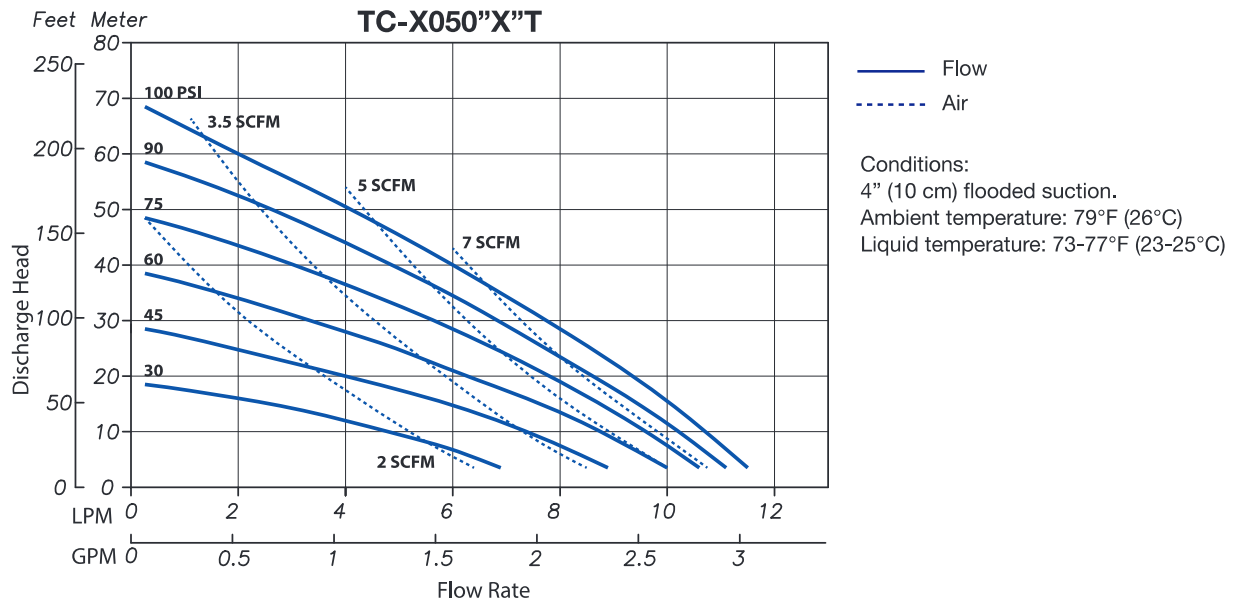


Maximum Flow Rate: 3.0 GPM (11.5 LPM)
 Maximum Discharge Head: 230 FT (70 m)
 Available in: Stainless Steel, Aluminum, Pure Polypropylene, Acetal (POM),
 Glass Fiber Reinforced Polypropylene (PPG), & PVDF (Kynar®)
 Spool valve type: Looped C-Spring Valve
 Certification: CE, ATEX (select models), FDA (SS models)

SPECIFICATIONS						
Material Code*	AT	ST	PT	VT	DT	PT-PP
Max Flow Rate	3.0 GPM (11.5 LPM)					
Max Air Pressure	100 PSI (0.7 MPa)					
Max Air Consumption	8.83 scfm (250 L/min)					
Supply Air Pressure Range ¹	30-100 PSI (0.2-0.7 MPa)					
Liquid Discharge Volume per cycle	0.7 oz (20 mL)					
Connection Suction x Discharge	NPT 1/4"					
Weight	3.53 lbs	6.0 lbs	2.87 lbs	3.7 lbs	3.1 lbs	
	1.6 kg	2.7 kg	1.3 kg	1.7 kg	1.4 kg	

* See Chart and Model Number nomenclature on back page for materials
 Note 1: A supply air pressure of 30 PSI (0.2 MPa) or more is required to operate the pump. If the supply pressure is less than 30PSI (0.2 MPa), the pump may not operate properly.
 Pump Liquid Temperature Range: AT, ST 32-212°F (0-100°C) PT, VT, DT 32-140°F(0-60°C)
 Ambient Temperature Range: 32-158°F (0-70°C)
 Not recommended for use with slurry liquid.
 Viscosity Limit: ~100 cps (0.1 Pa-s) (Please contact your distributor for more details)

PERFORMANCE CURVES



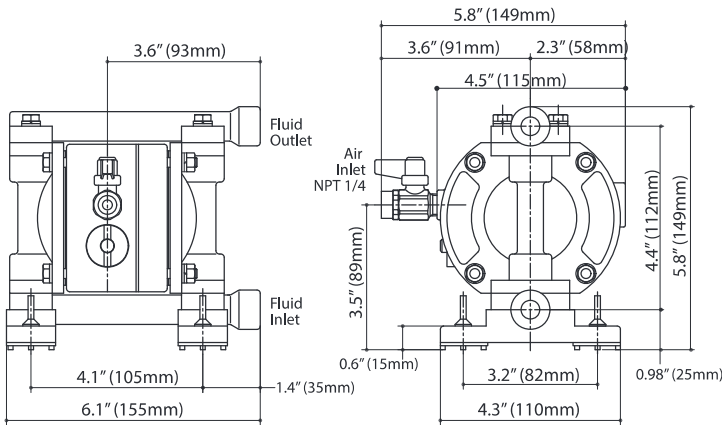
1/4" TC-X050 Series

WET END MATERIALS							
Model	Part Name	AT	ST	PT	VT	DT	PT-PP
TC-X 050	Pump wetted parts	AL Alloy	Cast SS	PPG	PVDF	Acetal	Pure Poly
	Diaphragm	PTFE	PTFE	PTFE	PTFE	PTFE	PTFE
	Flat Valve	PTFE	PTFE	PTFE	PTFE	PTFE	PTFE
	Valve Seat	SS316	SS316	PPG	PVDF	Acetal	Pure Poly
	Outer Diaphragm Plate	AL	SS316	PPG (SS303*)	PVDF (SS304*)	Acetal (SS304*)	Pure Poly (SS303*)
	Center Body	Ryton®					

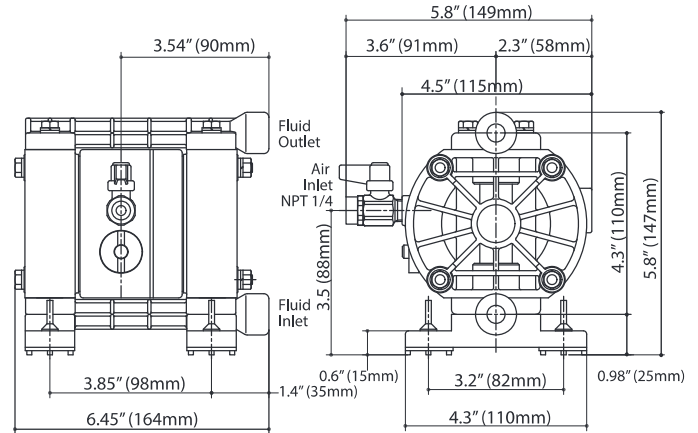
AL Alloy	Aluminum Alloy (ADC12/AC4C)	PPG	Glass Fiber Reinforced Polypropylene	*SS303	Stainless Steel Grade 303 (Insert material)
AL	Aluminum (A5056)	PTFE	Polytetrafluoroethylene (Teflon®)	*SS304	Stainless Steel Grade 304 (Insert material)
Acetal	Polyoxymethylene (POM)	PVDF	Polyvinylidene Fluoride (Kynar®)	Ryton®	Polyphenylene Sulphide (PPS)
SS316	Stainless Steel Grade 316	Cast SS	Cast Stainless Steel (SCS14)		
		Pure Poly	Pure Polypropylene (PP)		

DIMENSIONS

TC-X050 AT, ST



TC-X050 PT, VT, DT, PT-PP
(max dimensions shown)



MODEL NUMBER

TC-X 050 P T - PP - NPT

- Series:** TC-X
- Pump Connection Size:** 050 (1/4" x 1/4")
- Pump Body Material (wetted):** P: PPG, D: Acetal (POM), V: PVDF
- Optional Wetted Material:** A: Aluminum (ADC12), S: Cast Stainless Steel (SCS14)
- Diaphragm Material:** T: PTFE
- Connection Type:** NPT: Threaded