

1/2" TC-X150 Series

The TC-X150 pump is specially designed for reliable start/stop and running against dead head & high pressure type applications.

Maximum Flow Rate: 7.4 GPM (28 L/Min)
 Maximum Discharge Head: 230 ft (70 m)
 Available in: Glass Fiber Reinforced Polypropylene (PPG),
 Polyoxymethylene (Acetal®)

Shuttle valve type: Legacy Valve
 Check Valves: Flat and Ball options
 Certification: CE, ATEX (select models)



| SPECIFICATIONS | | |
|--|--------------------------|----|
| Material Code* | P"X" | DT |
| Max Flow Rate | 7.4 GPM (28 LPM) | |
| Max Air Pressure | 100 PSI (0.7 MPa) | |
| Max Air Consumption | 10.6 scfm (300 L/min) | |
| Supply Air Pressure Range ¹ | 30-100 PSI (0.2-0.7 MPa) | |
| Liquid Discharge Volume per cycle | 1.7 oz (50 mL) | |
| Connection Suction x Discharge | NPT 1/2" | |
| Weight | 7.7 lbs (3.5 kg) | |

* See Chart and Model Number nomenclature on back page for materials

Note 1: A supply air pressure of 30 PSI (0.2 MPa) or more is required to operate the pump. If the supply pressure is less than 30 PSI (0.2 MPa), the pump may not operate properly.

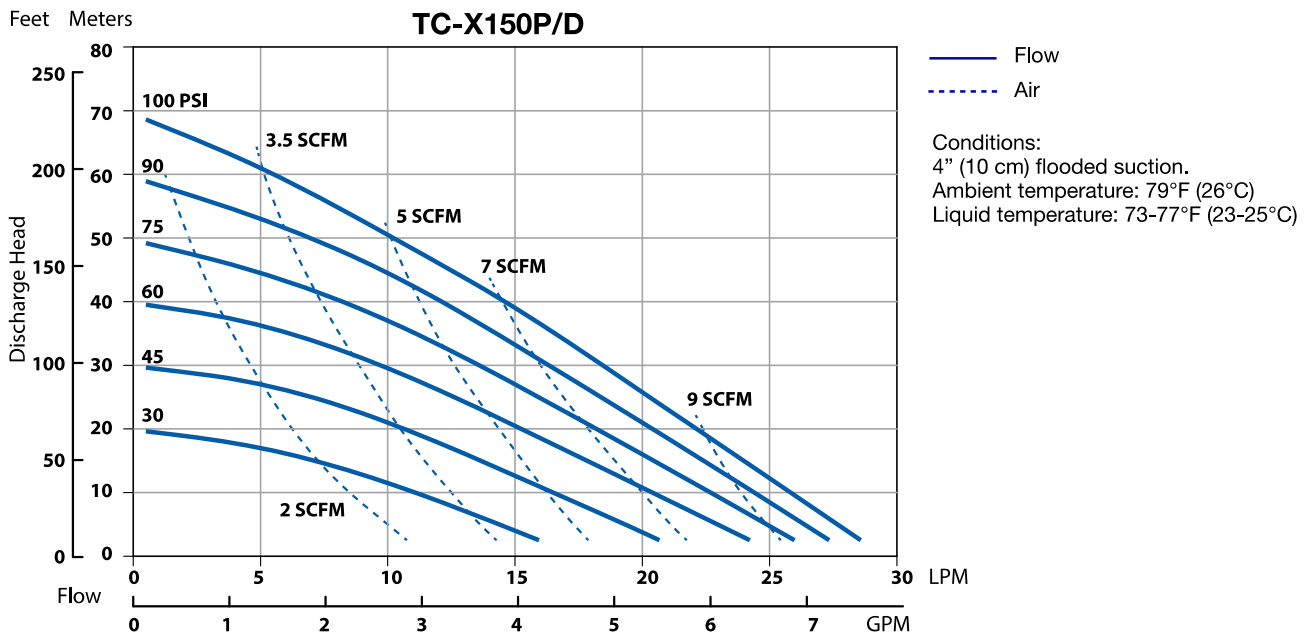
Pump Liquid Temperature Range: 32-140°F (0-60°C)

Ambient Temperature Range: 32-158°F (0-70°C)

Not recommended for use with slurry liquid.

Viscosity Limit: ~500 cps (0.5 Pa-s) (Please contact your distributor for more details)

PERFORMANCE CURVES



1/2" TC-X150 Series

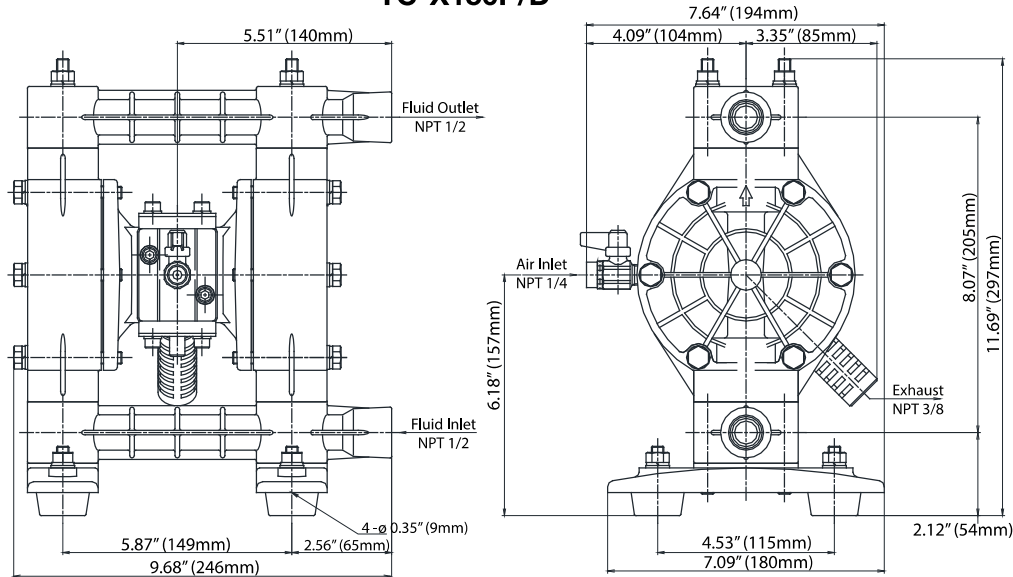
WET END MATERIALS

| Model | Part Name | PC | PN | PT | PH | PS | DT |
|----------|-----------------------|------------------|------|------|---------|-------------|-----------------|
| TC-X 150 | Pump wetted parts | PPG | | | | | Acetal |
| | Diaphragm | Neoprene™ | BUNA | PTFE | Hytrel™ | Santoprene® | PTFE |
| | Flat Valve | PTFE | | | | | |
| | Valve Seat | PPG | | | | | Acetal |
| | Outer Diaphragm Plate | PPG (SS303*) | | | | | Acetal (SS303*) |
| | Center Body | Aluminum (ADC12) | | | | | |

PPG Glass Fiber Reinforced Polypropylene
 PTFE Polytetrafluoroethylene (Teflon®)
 Neoprene™ Chloroprene Rubber (CR)
 BUNA Nitrile Rubber (NBR)
 Santoprene® Thermoplastic PolyOlefin (TPO)
 Hytrel™ Thermoplastic Polyester Elastomer (TPEE)
 Acetal Polyoxymethylene (POM)
 *SS303 Stainless Steel Grade 303 (insert material)

DIMENSIONS

TC-X150P/D



MODEL NUMBER NOMENCLATURE

TC-X 150 P T - BV - NPT

Series
TC-X

Pump Connection Size
150 (1/2" x 1/2")

Pump Body Material (wetted)
P: PPG
D: Acetal (POM)

Diaphragm Material

T: PTFE
H: Hytrel™ (TPEE)
C: Neoprene™ (CR)
N: BUNA (NBR)
S: Santoprene® (TPO)
E: Nordel (EPDM)

Check Valve Type
Blank: Flat Valve
BV: Ball Valve

Connection Type
NPT: Threaded