

# Air-Operated Double Diaphragm Pumps

# IWAKI AIR

## 1/4" TC-X030 Series

(PVDF/PTFE Only)



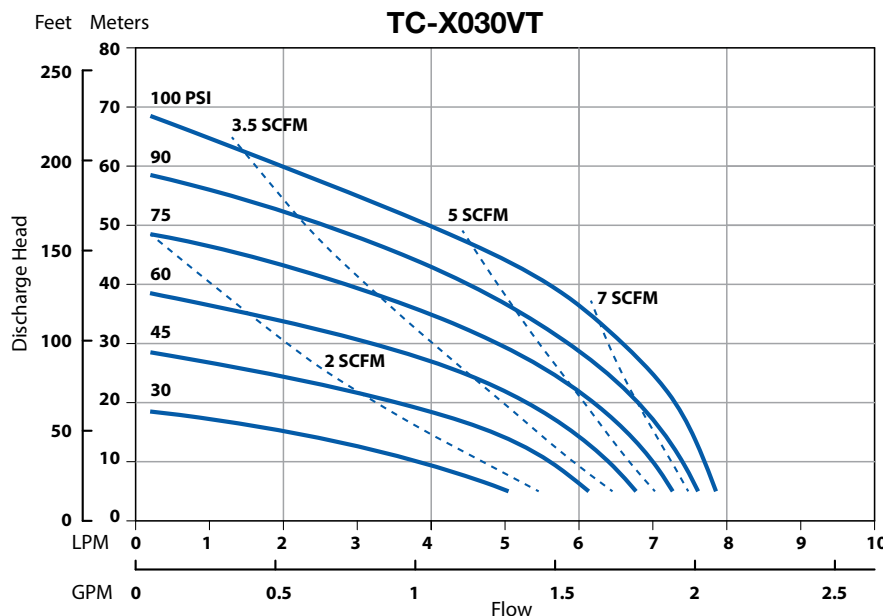
The TC-X030 series compact pumps offer minimal flow rates and feature the new Looped C™ Air Motor Technology (patent pending).

Maximum Flow Rate: 2.1 GPM (8.0 LPM)  
 Maximum Discharge Head: 230 FT (70 M)  
 Available in: PVDF (Kynar®)  
 Spool valve type: Looped C-Spring Valve  
 Certification: CE, ATEX

| SPECIFICATIONS                         |                            |
|--|----------------------------|
| Material Code*                         | VT                         |
| Max Flow Rate                          | 2.1 GPM (8.0 LPM)          |
| Max Air Pressure                       | 100 PSI (0.7 MPa)          |
| Max Air Consumption                    | 8.83 scfm (250 L/min)      |
| Supply Air Pressure Range <sup>1</sup> | 30-100 PSI (0.2 - 0.7 MPa) |
| Liquid Discharge Volume per cycle      | 0.5 oz (15 ML)             |
| Connection Suction x Discharge         | NPT 1/4"                   |
| Weight                                 | 3.7 LB (1.7 kg)            |

\* See Chart and Model Number nomenclature on back page for materials  
 Note 1: A supply air pressure of 30 PSI (0.2 MPa) or more is required to operate the pump. If the supply pressure is less than 30 PSI (0.2 MPa), the pump may not operate properly.  
 Pump Liquid Temperature Range: 32-140°F(0-60°C)  
 Ambient Temperature Range: 32-158°F (0-70°C)  
 Not recommended for use in slurry liquid.  
 Viscosity Limit: ~100 cps (0.1 Pa-s) (Please contact your distributor for more details)

### PERFORMANCE CURVES



— Flow  
 - - - Air

Conditions:  
 4" (10cm) flooded suction.  
 Ambient temperature: 79°F (26°C)  
 Liquid temperature: 73-77°F (23-25°C)

## 1/4" TC-X030 Series (PVDF/PTFE Only)

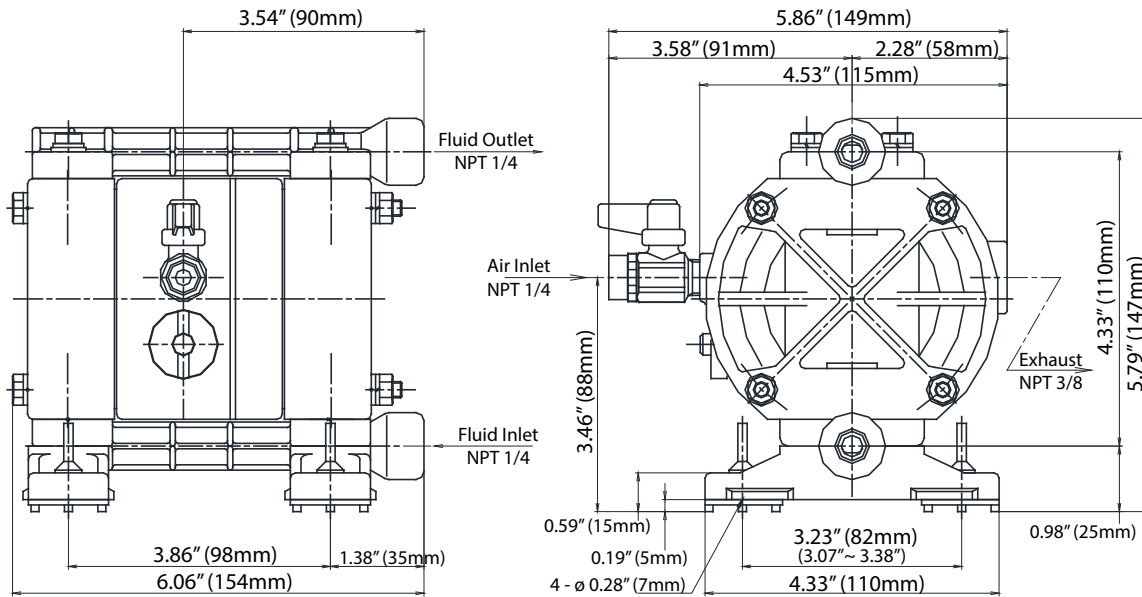
| WET END MATERIALS     |                 |
|-----------------------|-----------------|
| <b>Model</b>          | <b>TC-X 030</b> |
| <b>Part Name</b>      | <b>VT</b>       |
| Pump wetted parts     | PVDF            |
| Diaphragm             | PTFE            |
| Flat Valve            | PTFE            |
| O-Ring                | PTFE            |
| Valve Seat            | PVDF            |
| Outer Diaphragm Plate | PVDF (SS304*)   |
| Center Body           | Ryton®          |

PTFE Polytetrafluoroethylene (Teflon®)  
PVDF Polyvinylidene Fluoride (Kynar®)

\*SS304 (Stainless Steel Grade 304) is the insert material  
Ryton® Polyphenylene Sulphide (PPS)

### DIMENSIONS

#### TC-X030VT



### MODEL NUMBER NOMENCLATURE

